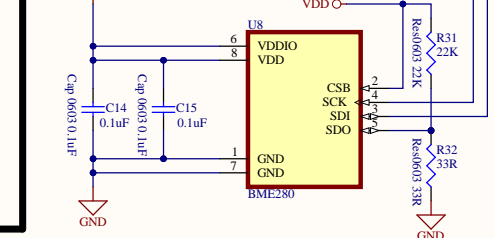
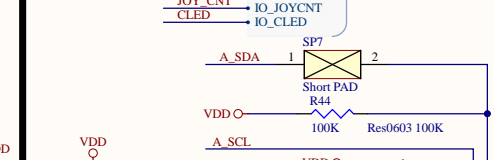
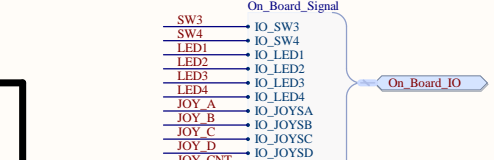
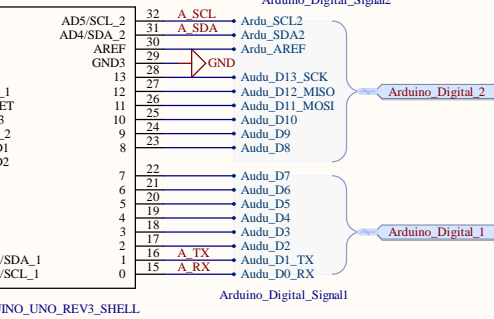
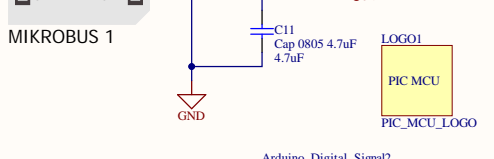
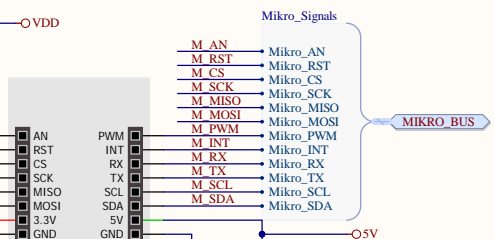
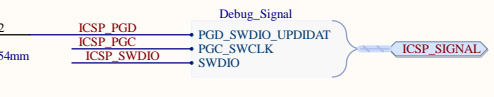
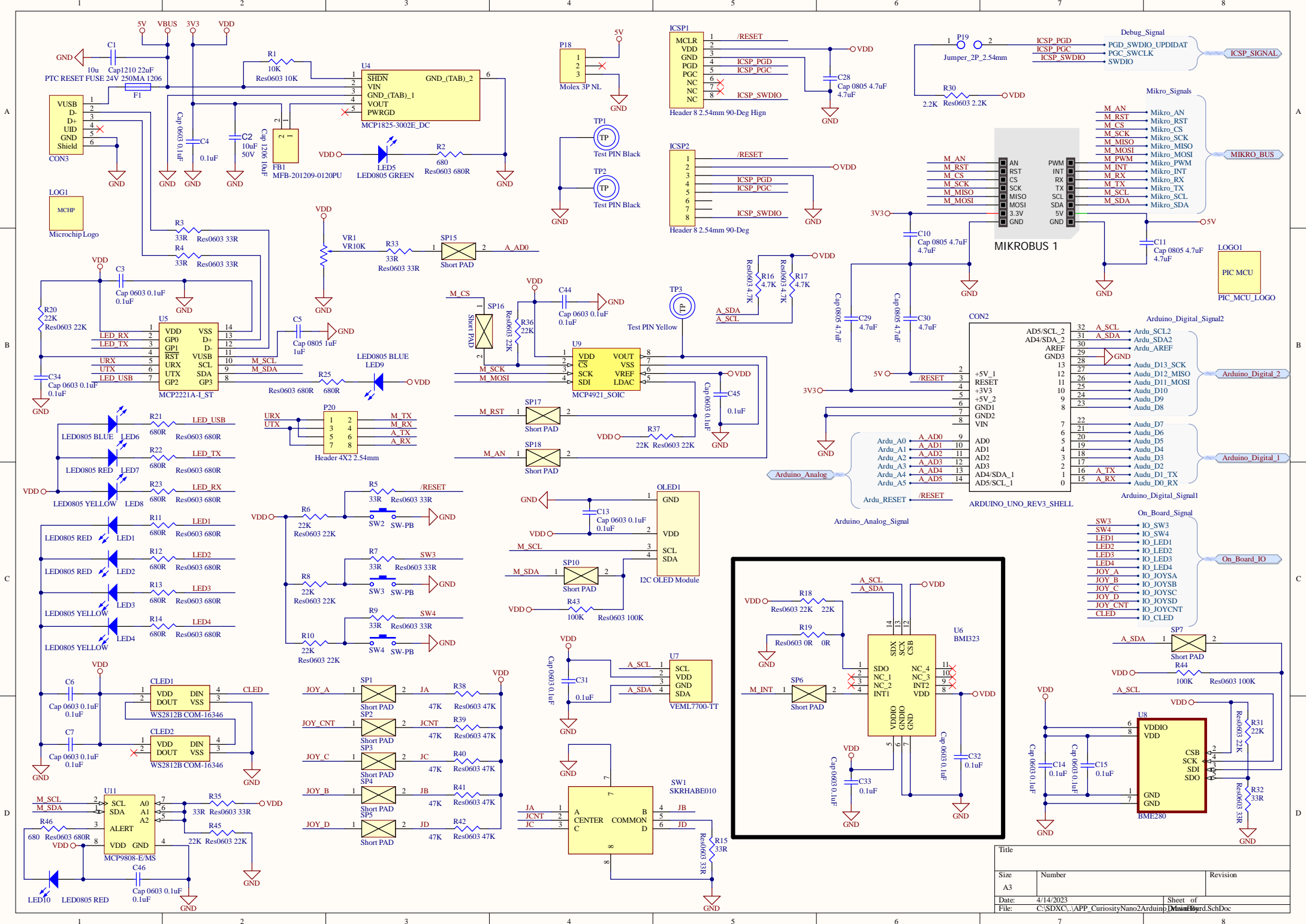
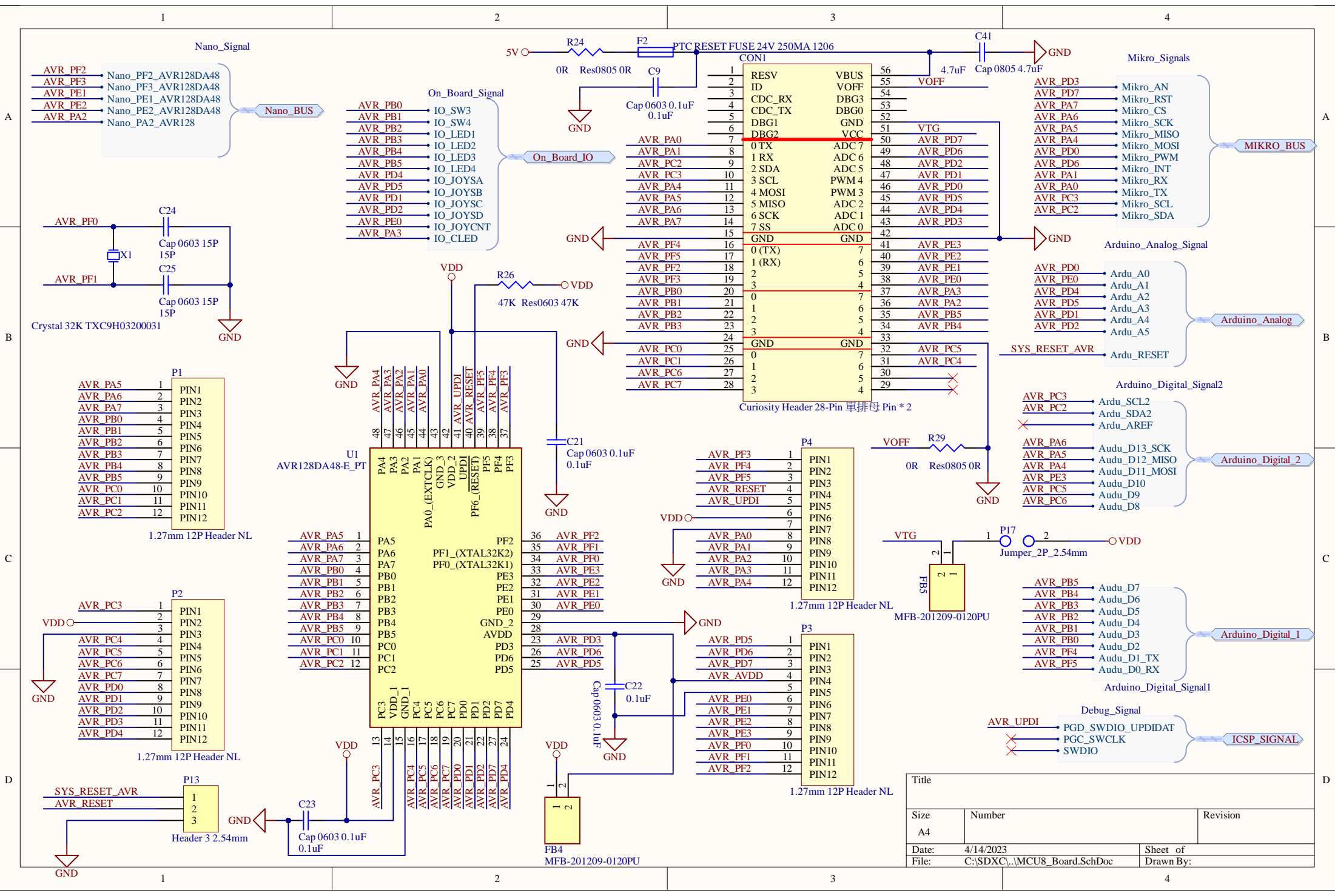


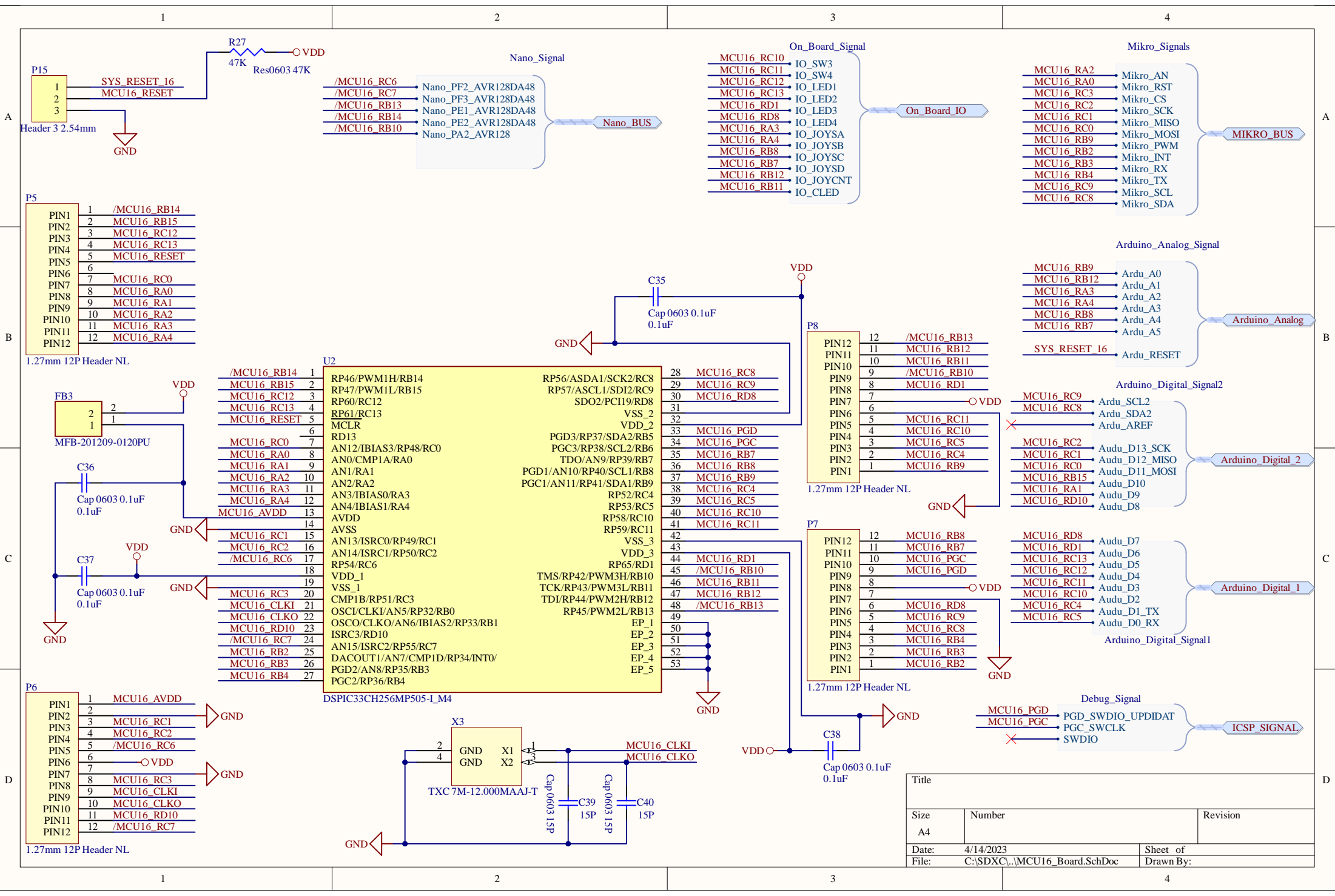
Title		
Size A3	Number	Revision
Date: 4/14/2023	Sheet of	
File: C:\SDXC\Main_Board.SchDoc	Drawn By:	



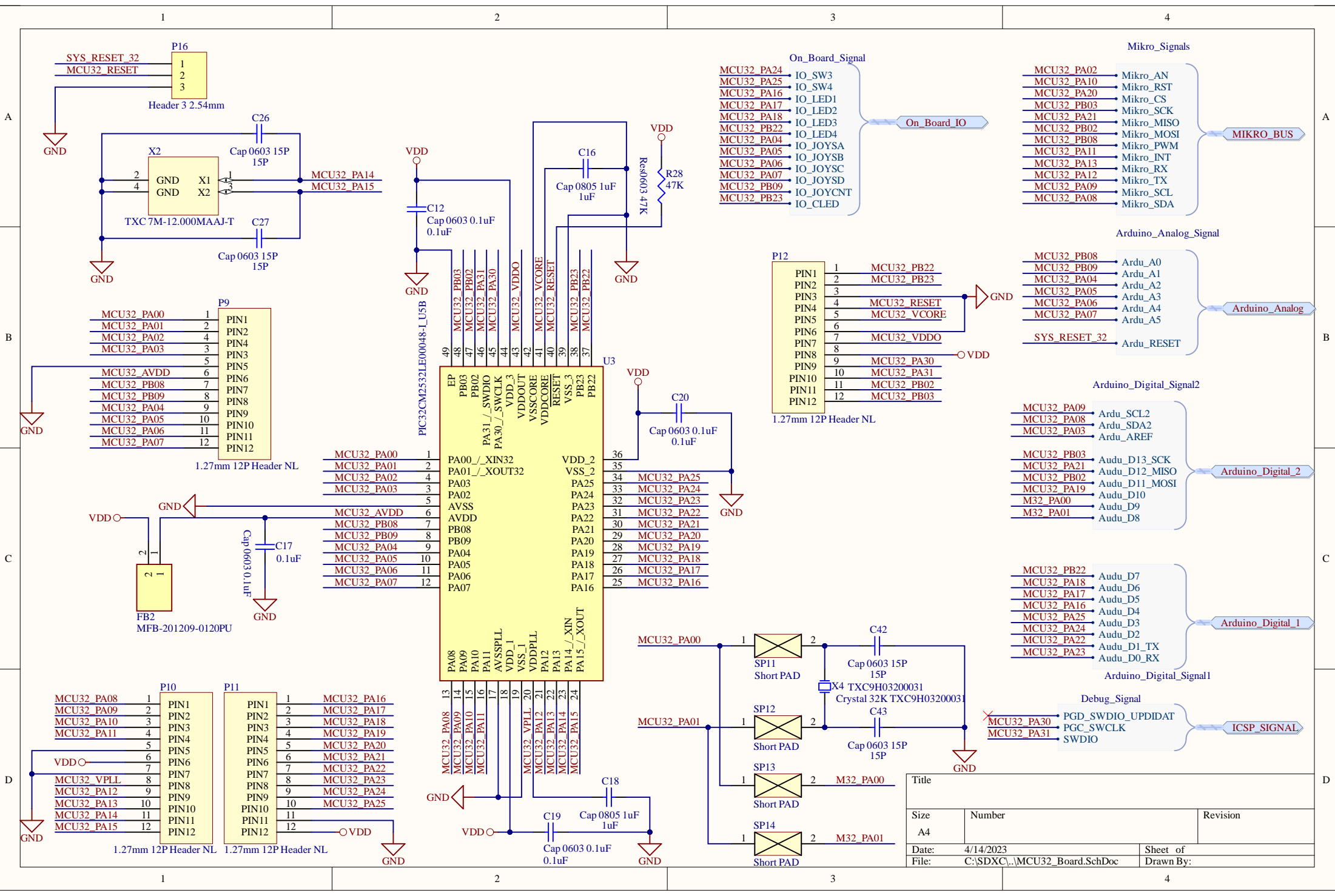
Title		
Size	Number	Revision
A3		
Date:	4/14/2023	Sheet of
File:	C:\SDXC\APP_CuriosityNano2Arduin\MainBoard.SchDoc	



Title		
Size	Number	Revision
A4		
Date:	4/14/2023	Sheet of
File:	C:\SDXC\...\MCU8_Board.SchDoc	Drawn By:



Title		
Size	Number	Revision
A4		
Date:	4/14/2023	Sheet of
File:	C:\SDXC\...\MCU16_Board.SchDoc	Drawn By:



- On_Board_Signal
- MCU32_PA24 → IO_SW3
 - MCU32_PA25 → IO_SW4
 - MCU32_PA16 → IO_LED1
 - MCU32_PA17 → IO_LED2
 - MCU32_PA18 → IO_LED3
 - MCU32_PB22 → IO_LED4
 - MCU32_PA04 → IO_JOYSA
 - MCU32_PA05 → IO_JOYSB
 - MCU32_PA06 → IO_JOYSC
 - MCU32_PA07 → IO_JOYSD
 - MCU32_PB09 → IO_JOYCN
 - MCU32_PB23 → IO_CLED

- Mikro_Signals
- MCU32_PA02 → Mikro_AN
 - MCU32_PA10 → Mikro_RST
 - MCU32_PA20 → Mikro_CS
 - MCU32_PB03 → Mikro_SCK
 - MCU32_PA21 → Mikro_MISO
 - MCU32_PB02 → Mikro_MOSI
 - MCU32_PB08 → Mikro_PWM
 - MCU32_PA11 → Mikro_INT
 - MCU32_PA13 → Mikro_RX
 - MCU32_PA12 → Mikro_TX
 - MCU32_PA09 → Mikro_SCL
 - MCU32_PA08 → Mikro_SDA

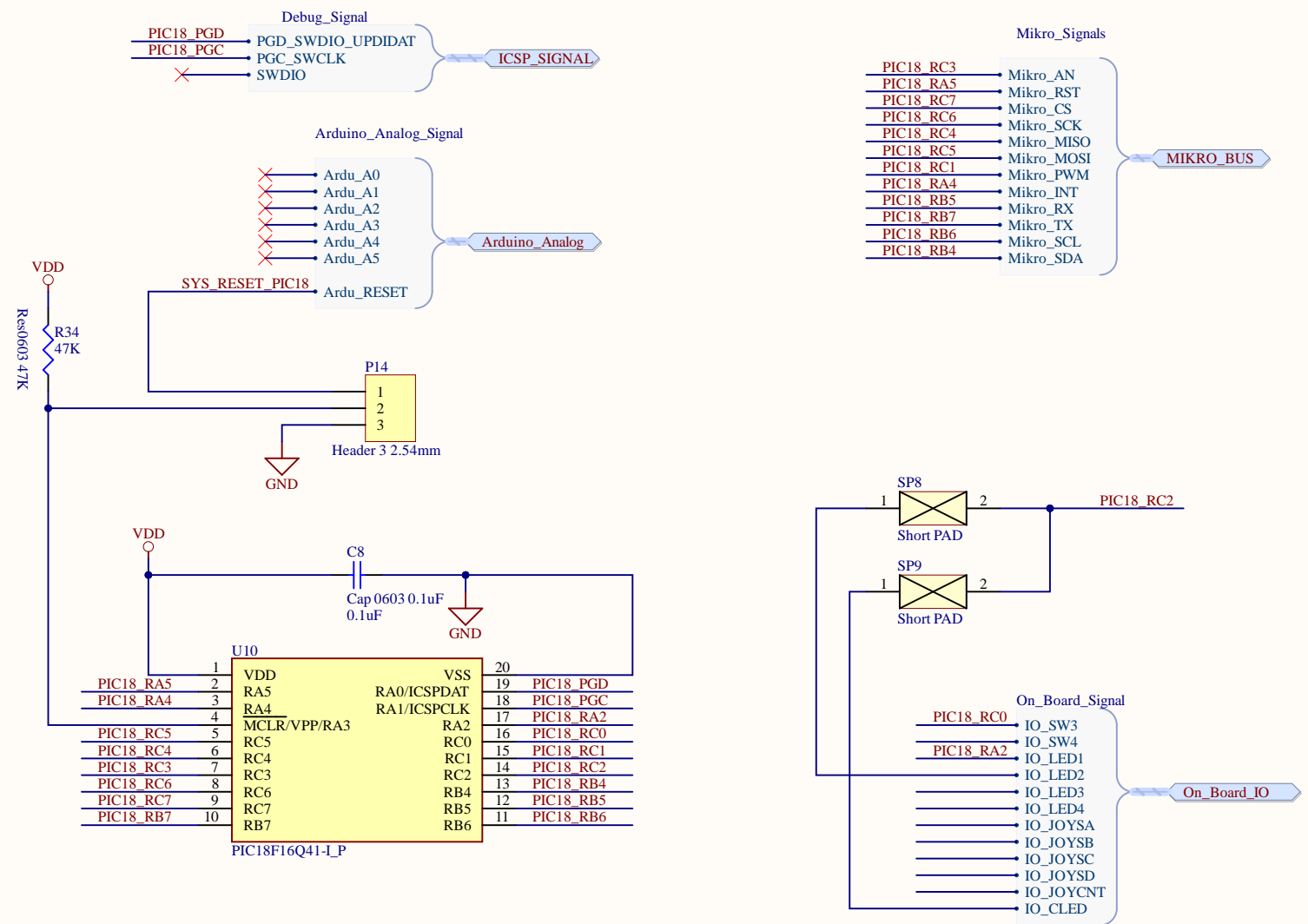
- Arduino_Analog_Signal
- MCU32_PB08 → Ardu_A0
 - MCU32_PB09 → Ardu_A1
 - MCU32_PA04 → Ardu_A2
 - MCU32_PA05 → Ardu_A3
 - MCU32_PA06 → Ardu_A4
 - MCU32_PA07 → Ardu_A5
 - SYS_RESET_32 → Ardu_RESET

- Arduino_Digital_Signal2
- MCU32_PA09 → Ardu_SCL2
 - MCU32_PA08 → Ardu_SDA2
 - MCU32_PA03 → Ardu_AREF
 - MCU32_PB03 → Ardu_D13_SCK
 - MCU32_PA21 → Ardu_D12_MISO
 - MCU32_PB02 → Ardu_D11_MOSI
 - MCU32_PA19 → Ardu_D10
 - M32_PA00 → Ardu_D9
 - M32_PA01 → Ardu_D8

- Arduino_Digital_Signal1
- MCU32_PB22 → Ardu_D7
 - MCU32_PA18 → Ardu_D6
 - MCU32_PA17 → Ardu_D5
 - MCU32_PA16 → Ardu_D4
 - MCU32_PA25 → Ardu_D3
 - MCU32_PA24 → Ardu_D2
 - MCU32_PA22 → Ardu_D1_TX
 - MCU32_PA23 → Ardu_D0_RX

- Debug_Signal
- MCU32_PA30 → PGD_SWDIO_UPDIDAT
 - MCU32_PA31 → PGC_SWCLK
 - MCU32_PA31 → SWDIO

Title		
Size	Number	Revision
A4		
Date:	4/14/2023	Sheet of
File:	C:\SDXC\...\MCU32_Board.SchDoc	Drawn By:



Title		
Size	Number	Revision
A4		
Date:	4/14/2023	Sheet of
File:	C:\SDXC\...\MCU8_PIC.SchDoc	Drawn By: