



MICROCHIP

Section 9. Watchdog Timer and Power-Saving Modes

HIGHLIGHTS

This section of the manual contains the following major topics:

9.1	Introduction	9-2
9.2	Power-Saving Modes	9-2
9.3	Watchdog Timer	9-7
9.4	Design Tips	9-11
9.5	Related Application Notes	9-12
9.6	Revision History	9-13

Note: This family reference manual section is meant to serve as a complement to device data sheets. Depending on the device variant, this manual section may not apply to all dsPIC33E/PIC24E devices.

Please consult the note at the beginning of the “**Special Features**” and “**Power-Saving Features**” chapters in the current device data sheet to check whether this document supports the device you are using.

Device data sheets and family reference manual sections are available for download from the Microchip Worldwide Web site at: <http://www.microchip.com>

9.1 INTRODUCTION

This section describes the Watchdog Timer (WDT) and Power-Saving modes implemented in dsPIC33E/PIC24E devices. The dsPIC33E/PIC24E device family offers a number of built-in capabilities that allow user applications to select the best balance of performance and low-power consumption.

The WDT resets the device in the event of a software malfunction. It can also be used to wake the device from Sleep or Idle mode.

9.2 POWER-SAVING MODES

Power-saving features implemented in dsPIC33E/PIC24E devices include the following:

- [System Clock Management](#)
- [Instruction-Based Power-Saving Modes](#)
- [Doze Mode](#)
- [Peripheral Module Disable](#)

9.2.1 System Clock Management

Reducing the system clock frequency results in power-saving that is roughly proportional to the frequency reduction. The dsPIC33E/PIC24E devices provide an on-the-fly clock switching feature that allows the user application to optimize power consumption by dynamically changing the system clock frequency. For details, refer to **Section 7. “Oscillator”** (DS70580) in the “*dsPIC33E/PIC24E Family Reference Manual*”.

9.2.2 Instruction-Based Power-Saving Modes

The dsPIC33E/PIC24E devices can operate in two instruction-based power-saving modes. These modes can be entered by executing a special `PWRSVAV` instruction.

Note: Execution of `PWRSVAV` instruction is ignored while any of the NVM operations are in progress.

If an interrupt coincides with the execution of a `PWRSVAV` instruction, the interrupt is delayed until the device fully enters Sleep or Idle mode. If the interrupt is a wake-up event, it will then wake-up the device and execute.

- **Sleep Mode:** In Sleep mode, the CPU, the system clock source and the peripherals that operate on the system clock source are disabled. This is the lowest-power mode for the device.

The SLEEP status flag bit in the Reset Control register (RCON<4>) is set when the device enters Sleep mode.

- **Idle Mode:** In Idle mode, the CPU is disabled, but the system clock source continues to operate. The peripherals continue to operate but can optionally be disabled. The IDLE status flag bit in the Reset Control register (RCON<3>) is set when the device enters Idle mode.

The SLEEP and IDLE status bits are cleared on Power-on Reset (POR) and Brown-out Reset (BOR). These bits can also be cleared in software. For more information on resets, refer to **Section 8. “Reset”** (DS70602) in the “*dsPIC33E/PIC24E Family Reference Manual*”.

Section 9. Watchdog Timer and Power-Saving Modes

The assembly syntax of the `PWRSV` instruction is shown in [Example 9-1](#).

Example 9-1: `PWRSV` Assembly Syntax

```
PWRSV #SLEEP_MODE ; Put the device into SLEEP mode
PWRSV #IDLE_MODE  ; Put the device into IDLE mode
```

Note 1: `SLEEP_MODE` and `IDLE_MODE` are constants defined in the assembler include file for the selected device.

2: Sleep mode does not change the state of the I/O pins.

9.2.2.1 SLEEP MODE

Sleep mode is the lowest current-consumption state. The characteristics of Sleep mode include the following:

- The Primary Oscillator (POSC) and internal FRC oscillator are disabled
- The Secondary Oscillator (SOSC) continues to run if the Secondary Oscillator Enable bit (LPOSCEN) in the Oscillator Control register (OSCCON<1>) is set. For details, refer to **Section 7. “Oscillator”** (DS70580) in the “*dsPIC33E/PIC24E Family Reference Manual*”.
- The WDT, clock source and LPRC oscillator continue to run if the Watchdog Timer is enabled. The WDT, if enabled, is automatically cleared prior to entering Sleep mode. For details, see **9.3 “Watchdog Timer”**.
- If the Voltage Regulator Standby Enable bit (VREGS) is cleared in the Reset Control register (RCON<8>), the internal voltage regulator enters the Stand-by state. The voltage regulator consumes a reduced amount of current in the Stand-by state.
- If the Flash Memory Voltage Regulator Stand-by Enable bit (VREGSF) in the Reset Control register (RCON<11>) is cleared, the voltage regulator that powers the Flash memory enters the Stand-by state. The Flash voltage regulator consumes a reduced amount of current in the Stand-by state.
- The peripherals operating with the system clock are disabled
- The Fail-Safe Clock Monitor (FSCM) does not operate during Sleep mode, because the system clock is disabled

To minimize current consumption in Sleep mode, do the following:

- Ensure that I/O pins do not drive resistive loads
- Ensure that I/O pins configured as inputs are not floating
- Disable the Sosc
- Disable the WDT
- Enable the voltage regulator to enter Stand-by state in Sleep mode

When the device exits Sleep mode, it restarts with the current clock source as indicated by the Current Clock Source Selection bits (COSC<2:0>) in the Oscillator Control register (OSCCON<14:12>).

9.2.2.1.1 Delay on Wake-up from Sleep

[Figure 9-1](#) shows the wake-up delay from Sleep mode. This delay consists of the voltage regulator delay and the oscillator delay:

- **Voltage Regulator Delay:** This is the time delay for the voltage regulator to transition from Stand-by state to Active state. This delay is required only if Stand-by mode is enabled for the voltage regulator.
- **Oscillator Delay:** The time delay for the clock to be ready for various clock sources is shown in [Table 9-1](#). For details, refer to **Section 7. “Oscillator”** (DS70580) in the “*dsPIC33E/PIC24E Family Reference Manual*”.

dsPIC33E/PIC24E Family Reference Manual

Figure 9-1: Wake-up Delay from Sleep Mode

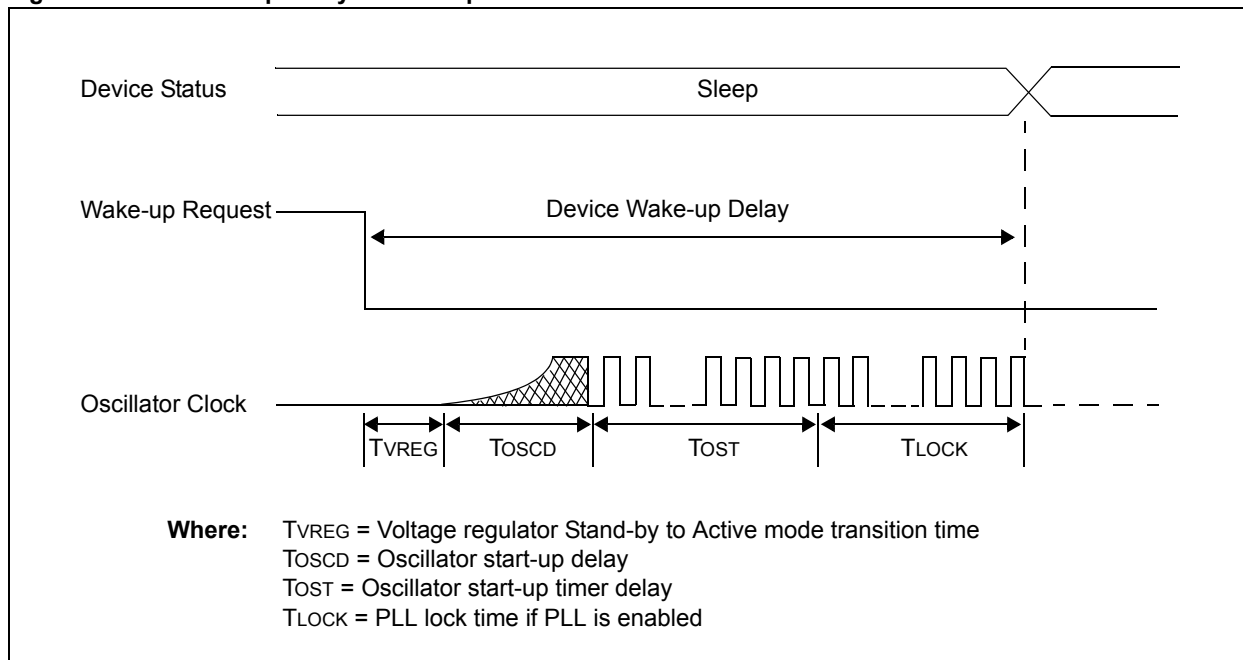


Table 9-1: Oscillator Delay^(1,2,3)

Oscillator Source	Oscillator Start-up Delay	Oscillator Start-up Timer	PLL Lock Time	Total Delay
FRC, FRCDIV16, FRCDIVN	TOSCD	—	—	TOSCD
FRCPLL	TOSCD	—	TLOCK	TOSCD + TLOCK
XT	TOSCD	TOST	—	TOSCD + TOST
HS	TOSCD	TOST	—	TOSCD + TOST
EC	—	—	—	—
XTPLL	TOSCD	TOST	TLOCK	TOSCD + TOST + TLOCK
HSPLL	TOSCD	TOST	TLOCK	TOSCD + TOST + TLOCK
ECPLL	—	—	TLOCK	TLOCK
SOSC	TOSCD	TOST	—	TOSCD + TOST
LPRC	TOSCD	—	—	TOSCD

Note 1: TOSCD = Oscillator start-up delay. Crystal oscillator start-up time varies with crystal characteristics, load capacitance, etc.

Note 2: TOST = Oscillator start-up timer delay.

Note 3: TLOCK = PLL lock time, if PLL is enabled.

Note: Refer to the “**Electrical Characteristics**” chapter of the specific device data sheet for TVREG, TOST and TLOCK specifications, and also for the TOSCD specifications when using the internal FRC or internal LPRC oscillator.

Section 9. Watchdog Timer and Power-Saving Modes

9.2.2.2 IDLE MODE

Idle mode has the following characteristics:

- The CPU stops executing instructions
- The system clock source remains active
- The WDT is automatically cleared
- If the WDT or FSCM is enabled, the LPRC remains active
- The peripheral modules, by default, continue to operate normally from the system clock source
- Peripherals can optionally be shut down using their Stop-in-Idle control bit (SIDL), which is located in bit position 13 of the control register for most peripheral modules. The generic bit-field name format is “xxxSIDL” (where, “xxx” is the mnemonic name of the peripheral device). For more details, refer to the respective peripheral sections in the “dsPIC33E/PIC24E Family Reference Manual”.

When the device exits Idle mode, the CPU starts executing instructions within eight system clock cycles.

9.2.2.3 WAKE-UP FROM SLEEP AND IDLE

Sleep and Idle modes exit on the following events:

- An enabled interrupt event
- A WDT time-out
- Reset from any source (Power-on Reset, Brown-out Reset and $\overline{\text{MCLR}}$)

9.2.2.3.1 Wake-up on Interrupt

An enabled interrupt event wakes up the device from Sleep or Idle mode, and then the following occurs:

- If the assigned priority for the interrupt is less than or equal to the current CPU priority, the device wakes up and continues code execution from the instruction following the PWRSAV instruction that initiated Sleep mode
- If the assigned priority level for the interrupt source is greater than the current CPU priority, the device wakes up and the CPU exception process begins. Code execution continues from the first instruction of the ISR.

9.2.2.3.2 Wake-up on WDT Time-out

If enabled, the Watchdog Timer continues to run during Sleep mode or Idle mode. When the WDT time-out occurs, the device wakes up and code execution continues from where the PWRSAV instruction was executed.

The Watchdog Time-out Flag bit (WDTO) in the Reset Control register (RCON<4>) is set to indicate that the wake-up event is due to a WDT time-out.

9.2.2.3.3 Wake-up on Reset

A Reset from any source (Power-on Reset, Brown-out Reset and $\overline{\text{MCLR}}$) causes the device to exit Sleep or Idle mode and begin executing from the Reset vector.

9.2.3 Doze Mode

The preferred strategy for reducing power consumption is to change clock speed and invoke Idle or Sleep mode. However, there may be circumstances where this strategy is not practical. The following effects must be considered:

- Manipulating the system clock speed alters the communication peripheral baud rate and can introduce communication errors
- Using an instruction-based power-saving mode (Idle/Sleep) completely stops processor execution

Doze mode provides an alternative method to reduce power consumption. In Doze mode, the peripherals are clocked at the system clock frequency, whereas the CPU is clocked at a reduced speed.

Doze mode is enabled by setting the Doze Enable bit (DOZEN) in the Clock Divisor register (CLKDIV<11>). The ratio between peripheral and CPU clock speed is determined by the Doze Ratio bits (DOZE<2:0>) in the Clock Divisor register (CLKDIV<14:12>). There are eight possible configurations, ranging from 1:1 to 1:128, with 1:1 being the default.

The CPU automatically returns to full-speed operation on any interrupt when the Recover On Interrupt bit (ROI) is set in the Clock Divisor register (CLKDIV<15>). By default, interrupt events have no effect on Doze mode operation.

9.2.4 Peripheral Module Disable

All peripheral modules (except for I/O ports) in dsPIC33E/PIC24E devices have a control bit that can be selectively disabled to reduce power consumption. These bits, known as the Peripheral Module Disable bits (PMD), are generically named “xxxMD” (where “xxx” is the mnemonic version of the module’s name). These bits are located in the PMDx Special Function Registers (SFRs). The PMD bit must be set (= 1) to disable the module. The PMD bit completely shuts down the peripheral, effectively powering down all circuits and removing all clock sources. All peripherals are enabled by default. Refer to the specific device data sheet for PMD register details.

Section 9. Watchdog Timer and Power-Saving Modes

9.3 WATCHDOG TIMER

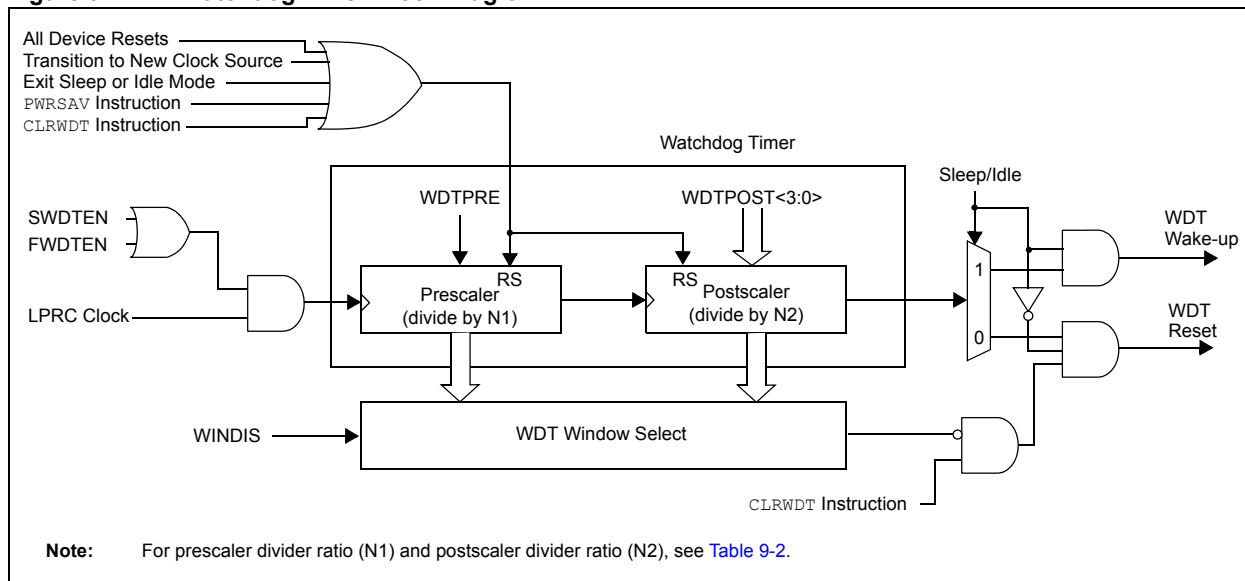
The Watchdog Timer has the following characteristics:

- 16 configurable time-out periods
- 5-bit or 7-bit prescaler
- 16-bit postscaler
- Hardware and software enabled
- Accelerated test interface
- Windowed WDT option

The Watchdog Timer is a free running timer. The primary function of the Watchdog Timer is to reset the device in the event of a software malfunction. It can also be used to wake the device from Sleep or Idle mode.

The Watchdog Timer consists of a configurable 5-bit or 7-bit prescaler and a configurable postscaler clocked with the Low-Power RC (LPRC) oscillator. The watchdog time-out period is selected by configuring the prescaler and postscaler dividers. A block diagram of the Watchdog Timer is shown in [Figure 9-2](#).

Figure 9-2: Watchdog Timer Block Diagram



9.3.1 Prescaler/Postscaler

The nominal Watchdog Timer clock source from LPRC is 32 kHz. This feeds a prescaler that can be configured for either 5-bit (divide-by-32) or 7-bit (divide-by-128) operation. The prescaler is set by the WDTPRE Configuration bit. With a 32 kHz input, the prescaler yields a nominal WDT time-out period (TWDT) of 1 ms in 5-bit mode, or 4 ms in 7-bit mode.

A variable postscaler divides the WDT prescaler output and allows for a wide range of time-out periods. The postscaler is controlled by the WDTPOST<3:0> Configuration bits (FWDT<3:0>), which allow the selection of 16 settings, from 1:1 to 1:32,768. Using the prescaler and postscaler, time-out periods ranging from 1 ms to 131 seconds can be achieved.

The WDT, prescaler and postscaler are reset:

- On any form of device Reset
- On the completion of a clock switch, whether invoked by software (i.e., setting the OSWEN bit after changing the NOSC bits) or by hardware (i.e., Fail-Safe Clock Monitor)
- When a PWRSAV instruction is executed (i.e., Sleep or Idle mode is entered)
- When the device exits Sleep or Idle mode to resume normal operation
- By a CLRWDT instruction during normal execution

Note: The CLRWDT and PWRSAV instructions clear the prescaler and postscaler counts.

9.3.2 Watchdog Timer Operation

When enabled, the Watchdog Timer increments until it overflows or times out. A WDT time-out forces a device Reset, except during Sleep or Idle modes. To prevent a WDT time-out reset, the software must periodically clear the Watchdog Timer using the `CLRWDT` instruction.

The WDT is also cleared when the device enters Sleep or Idle modes after executing the `PWRSVAV` instruction. If the WDT times out during Sleep or Idle modes, the device wakes up and continues code execution from where the `PWRSVAV` instruction was executed.

In either case, the Watchdog Time-out Flag bit (WDTO) in the Reset Control register (RCON<4>) is set to indicate that the device Reset or wake-up event is due to a WDT time-out.

9.3.2.1 ENABLING AND DISABLING THE WDT

The WDT is enabled or disabled by the Watchdog Enable bit (FWDTEN) in the WDT Configuration register (FWDT<7>). When the FWDTEN bit is set, the WDT is always enabled. This is the default value for an erased device.

If the WDT bit is disabled in the FWDT register, the user application can optionally enable the WDT by setting the Software Watchdog Enable bit (SWDTEN) in the Reset Control register (RCON<5>).

The SWDTEN control bit is cleared on any form of device reset. The SWDTEN bit allows the user application to enable the WDT for critical code segments and disable the WDT during non-critical segments for maximum power savings.

The WDT flag bit, WDTO (RCON<4>), is not cleared automatically after a WDT time-out. To detect subsequent WDT events, the flag must be cleared in software.

Note: The WDT Configuration register (FWDT) values are written during device programming. For details on the WDT Configuration register, refer to **Section 30. “Device Configuration”** (DS70618).

9.3.2.2 WATCHDOG TIMER WINDOW

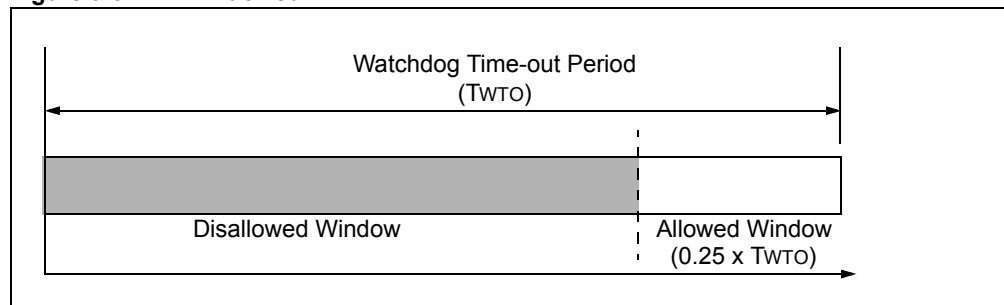
The Watchdog Timer has an optional Windowed mode enabled by programming the WINDIS bit (FWDT<6>). In the Windowed mode (WINDIS = 0), the WDT should be cleared within the last 25% of the Watchdog time-out period, as shown in [Figure 9-3](#). Some devices also have the option of a programmable WDT window, where the WDT should be cleared based on the programmable watchdog window select bits (WDTWIN<1:0>) setting as shown in [Figure 9-4](#). The bit settings are as follows:

- 11 = WDT window is 25% of the WDT period
- 10 = WDT window is 37.5% of the WDT period
- 01 = WDT window is 50% of the WDT period
- 00 = WDT window is 75% of the WDT period

If the Watchdog Timer is cleared before the allowed window, a system Reset is generated immediately.

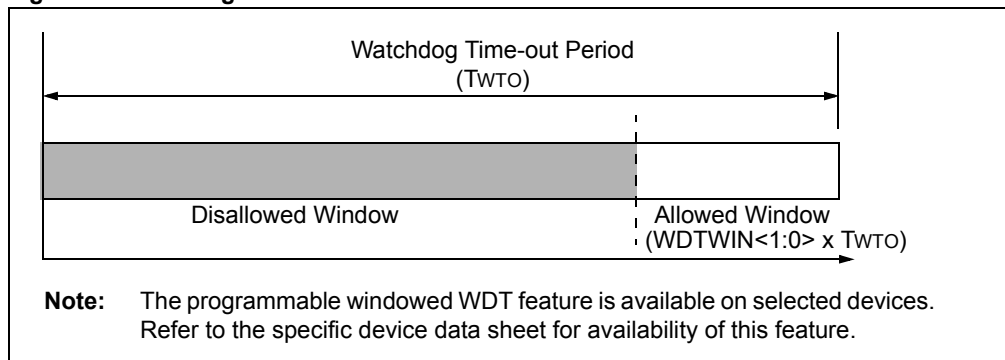
The Windowed mode is useful for resetting the device during unexpectedly quick or slow execution of a critical portion of the code.

Figure 9-3: Windowed WDT



Section 9. Watchdog Timer and Power-Saving Modes

Figure 9-4: Programmable Windowed WDT



9.3.3 Watchdog Time-out Period Selection

The watchdog time-out period is selected by programming the prescaler and postscaler dividers.

The prescaler divider ratio is determined by the Prescaler Selection bit (WDTPRE) in the WDT Configuration register (FWDT<4>).

A variable postscaler divides down the WDT prescaler output and allows for a wide range of time-out periods. The postscaler divider ratio is determined by the Postscaler Selection bits (WDTPOST<3:0>) in the WDT Configuration register (FWDT<3:0>), which provides 16 settings (from 1:1 to 1:32,768).

The WDT time-out period can be calculated using Equation 9-1 and WDT time-out period with window option can be calculated using Equation 9-2. The WDT period configurations for WDT time-out period and WDT time-out period with window option are provided in Table 9-2.

Equation 9-1: WDT Time-out Period

$$T_{WTO} = (N1) \times (N2) \times (T_{LPRC})$$

Where:

$N1$ = Prescaler divider ratio (see Table 9-2)

$N2$ = Postscaler divider ratio (see Table 9-2)

T_{LPRC} = LPRC clock period

Equation 9-2: WDT Time-out Period with Window Option

$$T_{WTO} = (N1) \times (N2) \times (T_{LPRC}) \times (WDTWIN<1:0>)$$

Where:

$N1$ = Prescaler divider ratio (see Table 9-2)

$N2$ = Postscaler divider ratio (see Table 9-2)

T_{LPRC} = LPRC clock period

dsPIC33E/PIC24E Family Reference Manual

Table 9-2: WDT Period Configurations

Postscaler Settings (WDTPOST<3:0>)	Postscaler Ratio (N2) ⁽¹⁾	5-bit Prescaler Time-out Period ^(2,3)	5-bit Prescaler Time-out Window ⁽⁵⁾	7-bit Prescaler Time-out Period ^(2,4)	7-bit Prescaler Time-out Window ⁽⁵⁾
0000	1:1	1 ms	0.75 ms	4 ms	3 ms
0001	1:2	2 ms	1.5 ms	8 ms	6 ms
0010	1:4	4 ms	3 ms	16 ms	12 ms
0011	1:8	8 ms	6 ms	32 ms	24 ms
0100	1:16	16 ms	12 ms	64 ms	48 ms
0101	1:32	32 ms	24 ms	128 ms	96 ms
0110	1:64	64 ms	48 ms	256 ms	192 ms
0111	1:128	128 ms	96 ms	512 ms	384 ms
1000	1:256	256 ms	192 ms	1.024s	0.768s
1001	1:512	512 ms	384 ms	2.048s	1.536s
1010	1:1024	1.024s	0.768s	4.096s	3.072s
1011	1:2048	2.048s	1.536s	8.192s	6.144s
1100	1:4096	4.096s	3.072s	16.384s	12.288s
1101	1:8192	8.192s	6.144s	32.768s	24.576s
1110	1:16384	16.384s	12.288s	65.536s	49.152s
1111	1:32768	32.768s	24.576s	131.072s	98.304s

- Note 1:** The postscaler clock is derived from 5-bit or 7-bit prescaler.
Note 2: Time-out period is based on a sample 32 kHz input clock.
Note 3: The WDT prescaler ratio of 1:32 N1 (WDTPRE = 0) gives a 5-bit prescaler.
Note 4: The WDT prescaler ratio of 1:128 N1 (WDTPRE = 1) gives a 7-bit prescaler.
Note 5: WDTWIN = 00. The WDT window is 75% of the selected WDT period.

Note: The WDT time-out period is directly related to the LPRC oscillator frequency (32 kHz nominal). Refer to the specific device data sheet for details about the accuracy of the LPRC frequency over temperature and voltage variations.

9.3.4 Watchdog Timer Reset

The Watchdog Timer is reset in the following circumstances:

- On any device Reset
- When a PWRSAV instruction is executed (i.e., Sleep or Idle mode is entered)
- When the WDT is enabled in software
- On the completion of a clock switch
- By a CLRWDT instruction during normal execution or during the last 25% of the WDT time-out period if WINDIS is '0'

Note: If a WDT time-out occurs while a Run-Time Self-Programming (RTSP) erase or programming operation is in progress, the device will be reset only after the RTSP operation is complete.

9.3.5 Operation of Watchdog Timer in Sleep and Idle Modes

If enabled, the Watchdog Timer continues to run during Sleep or Idle modes. When the WDT time-out occurs, the device wakes up and code execution continues from where the PWRSAV instruction was executed.

The Watchdog Timer is useful for low-power system designs because it can be used to periodically wake the device from Sleep mode to check the system status and provide action if necessary. The SWDTEN bit (RCON<5>) is very useful in this respect. If the WDT is disabled during normal operation (FWDTEN = 0), the SWDTEN bit can be used to turn on the WDT just before entering Sleep mode.

Section 9. Watchdog Timer and Power-Saving Modes

9.4 DESIGN TIPS

Question 1: *The device Resets even though I have inserted a CLRWDT instruction in my main software loop.*

Answer: Make sure that the software loop that contains the CLRWDT instruction meets the minimum specification of the WDT (not the typical value). Also, make sure that interrupt processing time has been accounted for.

Question 2: *What should my software do before entering Sleep or Idle mode?*

Answer: Make sure that the sources intended to wake the device have their interrupt enable bits set. In addition, make sure that the particular source of an interrupt can wake the device. Some sources do not function when the device is in Sleep mode.

If the device is to be placed in Idle mode, make sure that the “stop-in-idle” control bit for each peripheral device is properly set. These control bits determine whether the peripheral will continue operation in Idle mode. See the individual peripheral sections of this manual for further details.

Question 3: *How do I tell which peripheral woke the device from Sleep or Idle mode?*

Answer: You can poll the Interrupt Flag bits for each enabled interrupt source to determine the source of wake-up.

9.5 RELATED APPLICATION NOTES

This section lists application notes that are related to this section of the manual. These application notes may not be written specifically for the dsPIC33E/PIC24E product family, but the concepts are pertinent and could be used with modification and possible limitations. The current application notes related to the Watchdog Timer and Power-Saving Modes include the following:

Title	Application Note #
Low-Power Design Using PICmicro [®] Microcontrollers	AN606

Note: Please visit the Microchip web site (www.microchip.com) for additional Application Notes and code examples for the dsPIC33E/PIC24E family of devices.

9.6 REVISION HISTORY

Revision A (September 2009)

This is the initial released version of this document.

Revision B (December 2010)

This revision includes the following updates:

- Added a note at the beginning of the section, which provides information on complementary documentation
- Updated the dsPIC33E references in the entire document as dsPIC33E/PIC24E
- Added a reference to the VREGSF bit to the bulleted list in [9.2.2.1 “Sleep Mode”](#)
- Added a note box with detail regarding RTSP to [9.3.4 “Watchdog Timer Reset”](#)
- Added a note box with reference to the specific device data sheet chapter for TVREG, TOST, TLOCK, and TOSCD specifications after [Table 9-1: “Oscillator Delay^{\(1,2,3\)}”](#)
- Additional formatting changes and minor updates to text have been incorporated throughout the document

Revision C (May 2011)

This revision includes the following updates:

- Updated the third bulleted paragraph in [9.2.2.1 “Sleep Mode”](#)
- Added the Watchdog Timer characteristics in [9.3 “Watchdog Timer”](#)
- Updated cross-references in [Equation 9-1](#)
- Removed the WDT prescaler and postscaler divider settings tables
- Added [9.3.1 “Prescaler/Postscaler”](#)
- Added [Figure 9-4](#)
- Added [Equation 9-2](#)
- Added [Table 9-2](#)
- Additional formatting changes and minor updates to text have been incorporated throughout the document

NOTES:

Note the following details of the code protection feature on Microchip devices:

- Microchip products meet the specification contained in their particular Microchip Data Sheet.
- Microchip believes that its family of products is one of the most secure families of its kind on the market today, when used in the intended manner and under normal conditions.
- There are dishonest and possibly illegal methods used to breach the code protection feature. All of these methods, to our knowledge, require using the Microchip products in a manner outside the operating specifications contained in Microchip's Data Sheets. Most likely, the person doing so is engaged in theft of intellectual property.
- Microchip is willing to work with the customer who is concerned about the integrity of their code.
- Neither Microchip nor any other semiconductor manufacturer can guarantee the security of their code. Code protection does not mean that we are guaranteeing the product as “unbreakable.”

Code protection is constantly evolving. We at Microchip are committed to continuously improving the code protection features of our products. Attempts to break Microchip's code protection feature may be a violation of the Digital Millennium Copyright Act. If such acts allow unauthorized access to your software or other copyrighted work, you may have a right to sue for relief under that Act.

Information contained in this publication regarding device applications and the like is provided only for your convenience and may be superseded by updates. It is your responsibility to ensure that your application meets with your specifications. MICROCHIP MAKES NO REPRESENTATIONS OR WARRANTIES OF ANY KIND WHETHER EXPRESS OR IMPLIED, WRITTEN OR ORAL, STATUTORY OR OTHERWISE, RELATED TO THE INFORMATION, INCLUDING BUT NOT LIMITED TO ITS CONDITION, QUALITY, PERFORMANCE, MERCHANTABILITY OR FITNESS FOR PURPOSE. Microchip disclaims all liability arising from this information and its use. Use of Microchip devices in life support and/or safety applications is entirely at the buyer's risk, and the buyer agrees to defend, indemnify and hold harmless Microchip from any and all damages, claims, suits, or expenses resulting from such use. No licenses are conveyed, implicitly or otherwise, under any Microchip intellectual property rights.

Trademarks

The Microchip name and logo, the Microchip logo, dsPIC, KEELOQ, KEELOQ logo, MPLAB, PIC, PICmicro, PICSTART, PIC³² logo, rPIC and UNI/O are registered trademarks of Microchip Technology Incorporated in the U.S.A. and other countries.


FilterLab, Hampshire, HI-TECH C, Linear Active Thermistor, MXDEV, MXLAB, SEEVAL and The Embedded Control Solutions Company are registered trademarks of Microchip Technology Incorporated in the U.S.A.

Analog-for-the-Digital Age, Application Maestro, chipKIT, chipKIT logo, CodeGuard, dsPICDEM, dsPICDEM.net, dsPICworks, dsSPEAK, ECAN, ECONOMONITOR, FanSense, HI-TIDE, In-Circuit Serial Programming, ICSP, Mindi, MiWi, MPASM, MPLAB Certified logo, MPLIB, MPLINK, mTouch, Omniscient Code Generation, PICC, PICC-18, PICDEM, PICDEM.net, PICKit, PICtail, REAL ICE, rLAB, Select Mode, Total Endurance, TSHARC, UniWinDriver, WiperLock and ZENA are trademarks of Microchip Technology Incorporated in the U.S.A. and other countries.

SQTP is a service mark of Microchip Technology Incorporated in the U.S.A.

All other trademarks mentioned herein are property of their respective companies.

© 2009-2011, Microchip Technology Incorporated, Printed in the U.S.A., All Rights Reserved.

 Printed on recycled paper.

ISBN: 978-1-61341-207-7

QUALITY MANAGEMENT SYSTEM
CERTIFIED BY DNV
== ISO/TS 16949:2009 ==

Microchip received ISO/TS-16949:2002 certification for its worldwide headquarters, design and wafer fabrication facilities in Chandler and Tempe, Arizona; Gresham, Oregon and design centers in California and India. The Company's quality system processes and procedures are for its PIC[®] MCUs and dsPIC[®] DSCs, KEELOQ[®] code hopping devices, Serial EEPROMs, microperipherals, nonvolatile memory and analog products. In addition, Microchip's quality system for the design and manufacture of development systems is ISO 9001:2000 certified.



MICROCHIP

Worldwide Sales and Service

AMERICAS

Corporate Office
2355 West Chandler Blvd.
Chandler, AZ 85224-6199
Tel: 480-792-7200
Fax: 480-792-7277
Technical Support:
<http://www.microchip.com/support>
Web Address:
www.microchip.com

Atlanta
Duluth, GA
Tel: 678-957-9614
Fax: 678-957-1455

Boston
Westborough, MA
Tel: 774-760-0087
Fax: 774-760-0088

Chicago
Itasca, IL
Tel: 630-285-0071
Fax: 630-285-0075

Cleveland
Independence, OH
Tel: 216-447-0464
Fax: 216-447-0643

Dallas
Addison, TX
Tel: 972-818-7423
Fax: 972-818-2924

Detroit
Farmington Hills, MI
Tel: 248-538-2250
Fax: 248-538-2260

Indianapolis
Noblesville, IN
Tel: 317-773-8323
Fax: 317-773-5453

Los Angeles
Mission Viejo, CA
Tel: 949-462-9523
Fax: 949-462-9608

Santa Clara
Santa Clara, CA
Tel: 408-961-6444
Fax: 408-961-6445

Toronto
Mississauga, Ontario,
Canada
Tel: 905-673-0699
Fax: 905-673-6509

ASIA/PACIFIC

Asia Pacific Office
Suites 3707-14, 37th Floor
Tower 6, The Gateway
Harbour City, Kowloon
Hong Kong
Tel: 852-2401-1200
Fax: 852-2401-3431

Australia - Sydney
Tel: 61-2-9868-6733
Fax: 61-2-9868-6755

China - Beijing
Tel: 86-10-8569-7000
Fax: 86-10-8528-2104

China - Chengdu
Tel: 86-28-8665-5511
Fax: 86-28-8665-7889

China - Chongqing
Tel: 86-23-8980-9588
Fax: 86-23-8980-9500

China - Hangzhou
Tel: 86-571-2819-3180
Fax: 86-571-2819-3189

China - Hong Kong SAR
Tel: 852-2401-1200
Fax: 852-2401-3431

China - Nanjing
Tel: 86-25-8473-2460
Fax: 86-25-8473-2470

China - Qingdao
Tel: 86-532-8502-7355
Fax: 86-532-8502-7205

China - Shanghai
Tel: 86-21-5407-5533
Fax: 86-21-5407-5066

China - Shenyang
Tel: 86-24-2334-2829
Fax: 86-24-2334-2393

China - Shenzhen
Tel: 86-755-8203-2660
Fax: 86-755-8203-1760

China - Wuhan
Tel: 86-27-5980-5300
Fax: 86-27-5980-5118

China - Xian
Tel: 86-29-8833-7252
Fax: 86-29-8833-7256

China - Xiamen
Tel: 86-592-2388138
Fax: 86-592-2388130

China - Zhuhai
Tel: 86-756-3210040
Fax: 86-756-3210049

ASIA/PACIFIC

India - Bangalore
Tel: 91-80-3090-4444
Fax: 91-80-3090-4123

India - New Delhi
Tel: 91-11-4160-8631
Fax: 91-11-4160-8632

India - Pune
Tel: 91-20-2566-1512
Fax: 91-20-2566-1513

Japan - Yokohama
Tel: 81-45-471- 6166
Fax: 81-45-471-6122

Korea - Daegu
Tel: 82-53-744-4301
Fax: 82-53-744-4302

Korea - Seoul
Tel: 82-2-554-7200
Fax: 82-2-558-5932 or
82-2-558-5934

Malaysia - Kuala Lumpur
Tel: 60-3-6201-9857
Fax: 60-3-6201-9859

Malaysia - Penang
Tel: 60-4-227-8870
Fax: 60-4-227-4068

Philippines - Manila
Tel: 63-2-634-9065
Fax: 63-2-634-9069

Singapore
Tel: 65-6334-8870
Fax: 65-6334-8850

Taiwan - Hsin Chu
Tel: 886-3-6578-300
Fax: 886-3-6578-370

Taiwan - Kaohsiung
Tel: 886-7-213-7830
Fax: 886-7-330-9305

Taiwan - Taipei
Tel: 886-2-2500-6610
Fax: 886-2-2508-0102

Thailand - Bangkok
Tel: 66-2-694-1351
Fax: 66-2-694-1350

EUROPE

Austria - Wels
Tel: 43-7242-2244-39
Fax: 43-7242-2244-393

Denmark - Copenhagen
Tel: 45-4450-2828
Fax: 45-4485-2829

France - Paris
Tel: 33-1-69-53-63-20
Fax: 33-1-69-30-90-79

Germany - Munich
Tel: 49-89-627-144-0
Fax: 49-89-627-144-44

Italy - Milan
Tel: 39-0331-742611
Fax: 39-0331-466781

Netherlands - Drunen
Tel: 31-416-690399
Fax: 31-416-690340

Spain - Madrid
Tel: 34-91-708-08-90
Fax: 34-91-708-08-91

UK - Wokingham
Tel: 44-118-921-5869
Fax: 44-118-921-5820

05/02/11