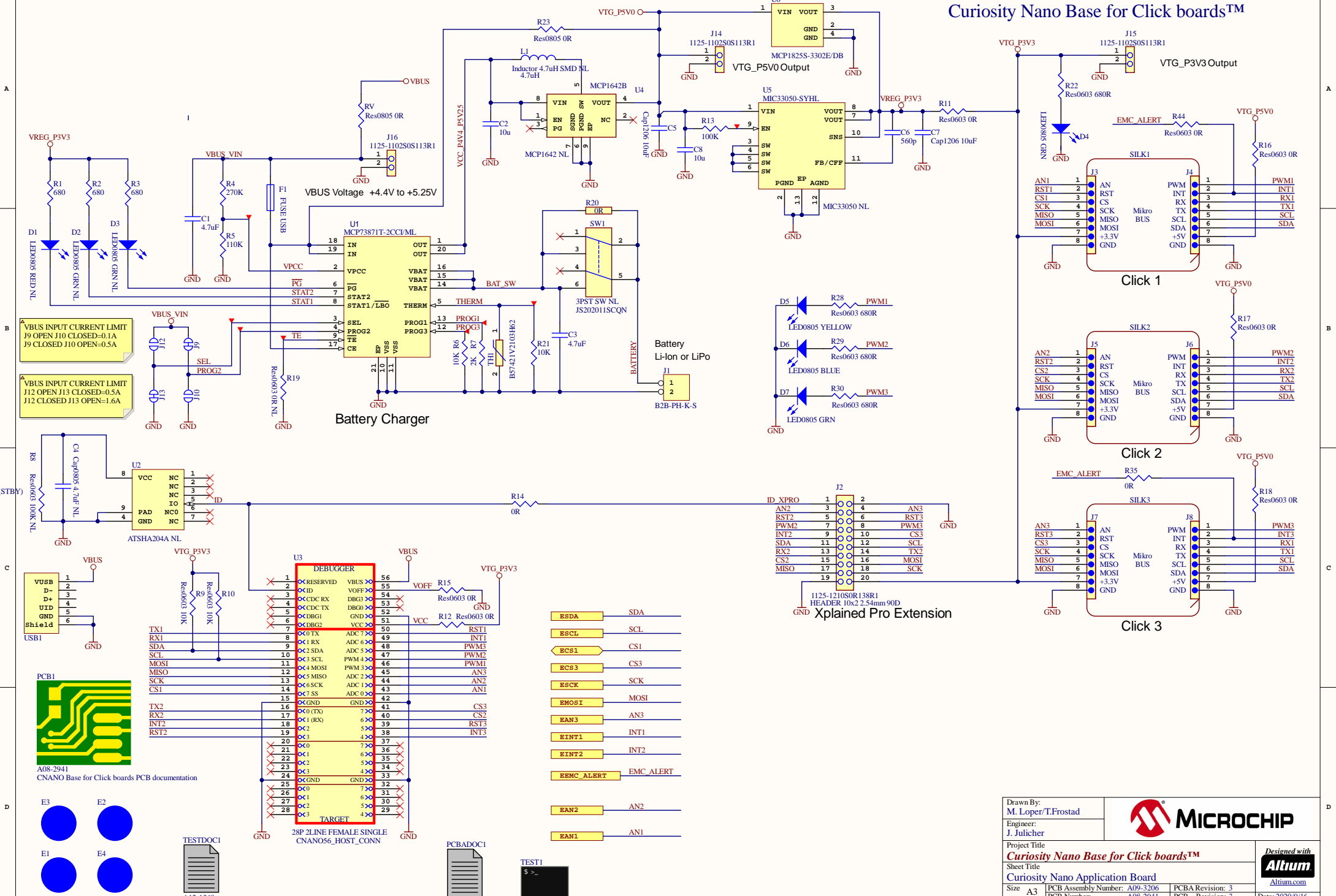


Curiosity Nano Base for Click boards™



Drawn By: M. Loper/T.Frostad
 Engineer: J. Julicher

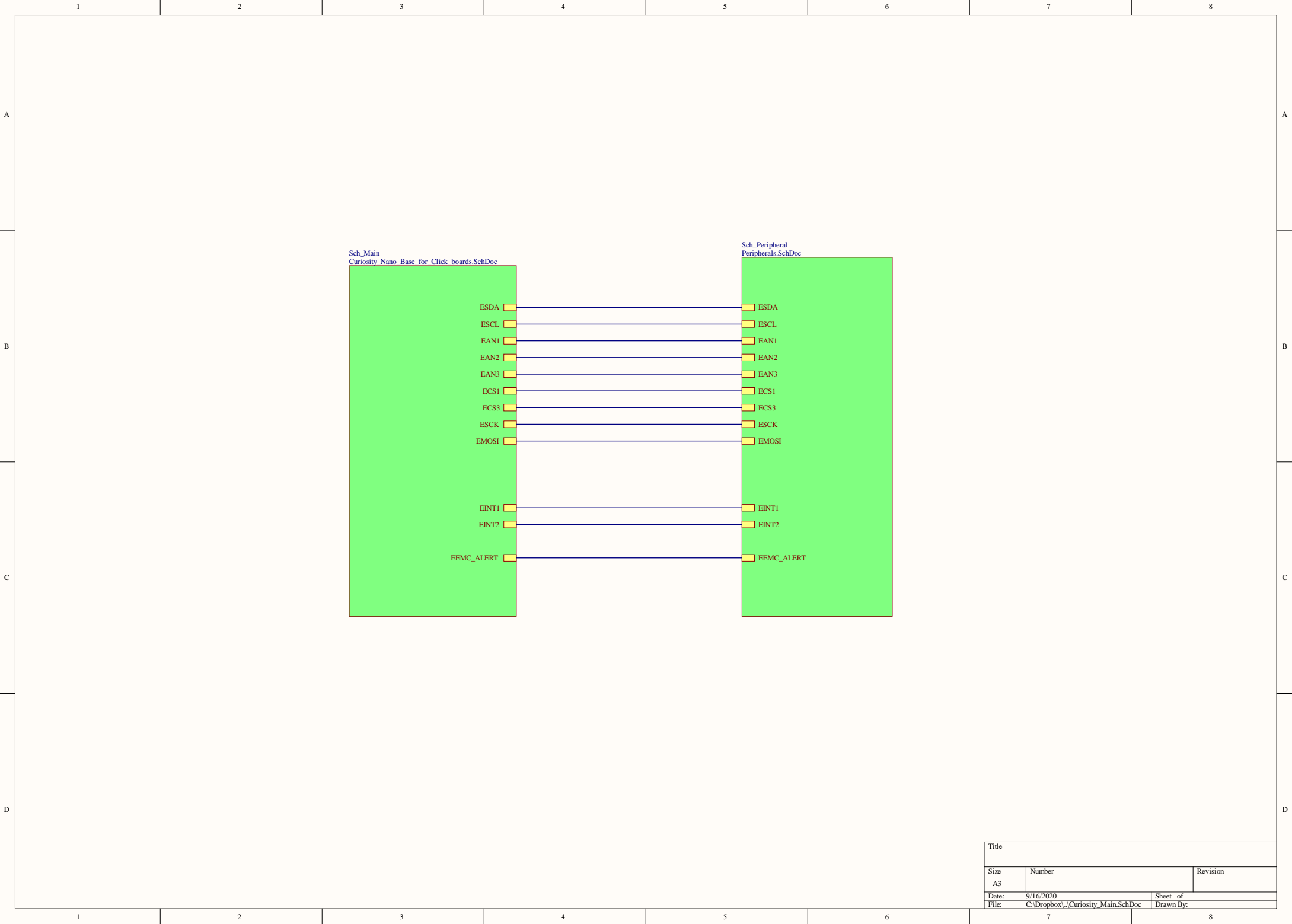
Project Title: Curiosity Nano Base for Click boards™
 Sheet Title: Curiosity Nano Application Board

Size: A3
 PCB Assembly Number: A09-3206
 PCB Number: A08-2941

PCBA Revision: 3
 Revision: 3

Date: 2020/9/16
 Page: 1 of 1

Designed with Altium



Title		
Size A3	Number	Revision
Date:	9/16/2020	Sheet of
File:	C:\Dropbox\Curiosity_Main.SchDoc	Drawn By:

A

B

C

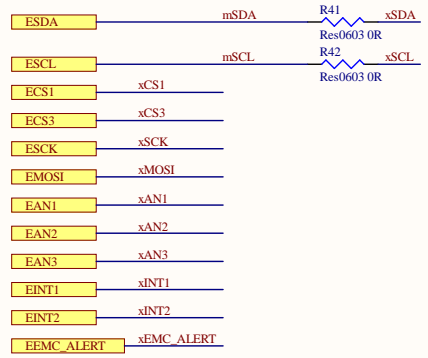
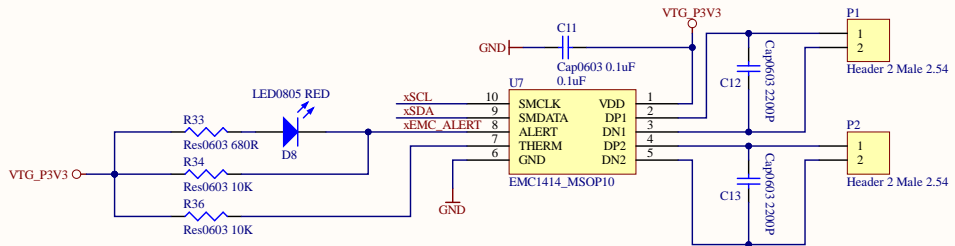
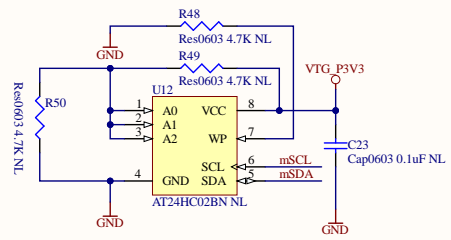
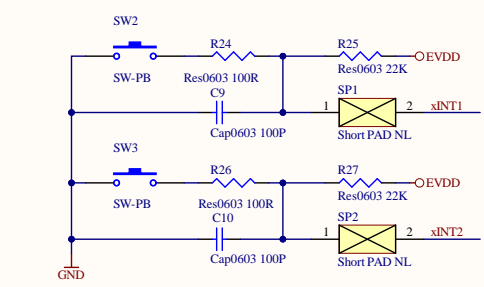
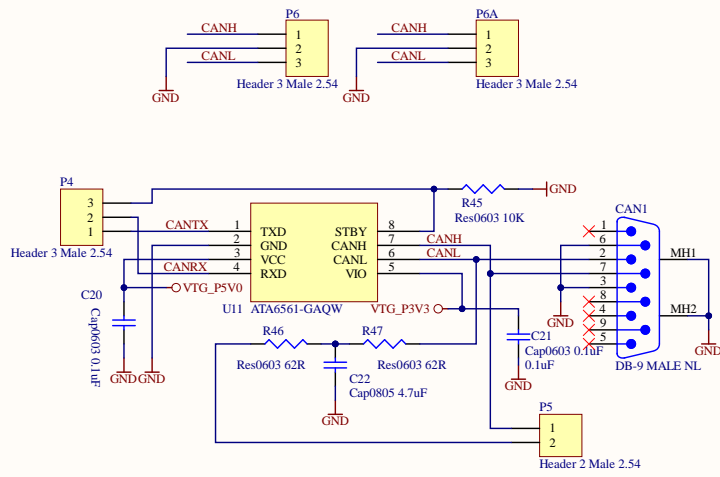
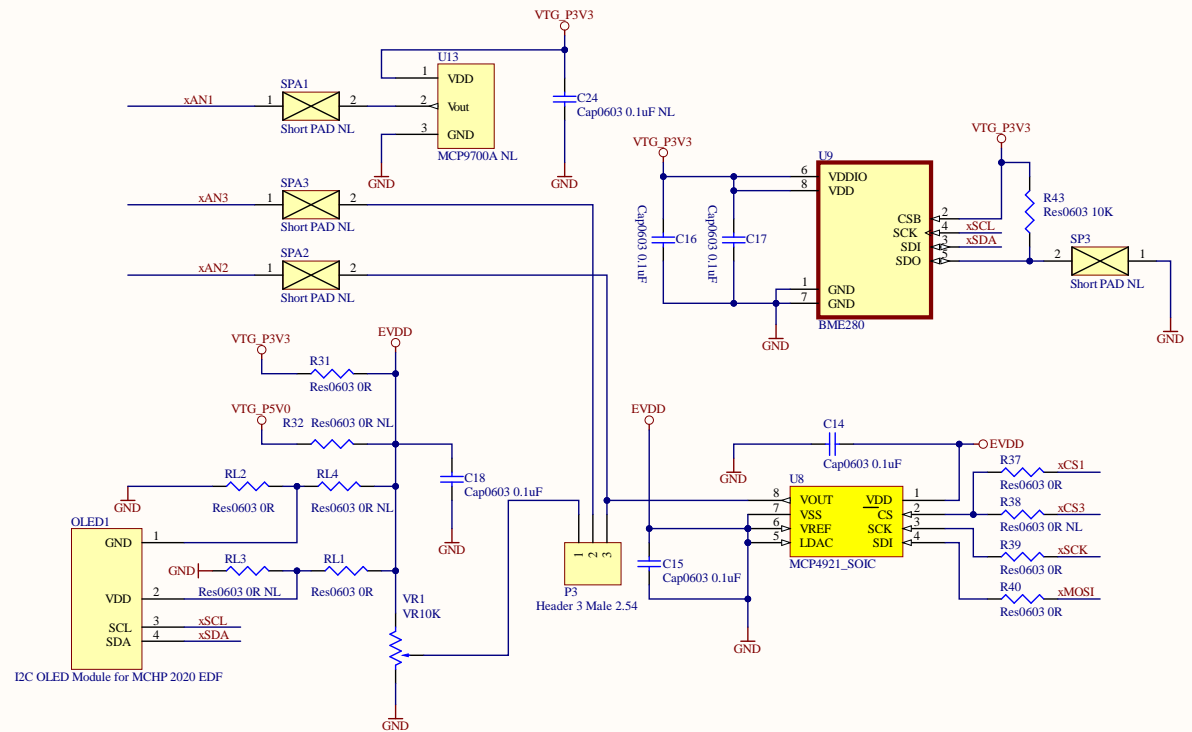
D

A

B

C

D



Title		
Size	Number	Revision
A3		
Date:	9/16/2020	Sheet of
File:	C:\Dropbox\...\Peripherals.SchDoc	Drawn By: